



Mechanical Connectors, Lugs and Repair Sleeves  
for Medium Voltage Cable Accessories  
up to 42 kV

**iS** Rayfast

**TE** ENERGY  
connectivity

# Mechanical Connectors, Lugs and Repair Sleeves for Medium Voltage Cable Accessories up to 42 kV

## Features & benefits

- Wide application range
- Compact design
- Can be used with almost every type of conductor and material
- Torque-controlled shear-head bolts guarantee a good electrical contact
- Easy installation with standard socket spanner
- Pre-engineered design for perfect fit in medium voltage cable accessories up to 42 kV
- Tested according to IEC 61238-1 class A

## General description

Mechanical connectors, lugs and repair sleeves are designed for use in low and medium voltage applications. Only three sizes cover conductor sizes from 25 mm<sup>2</sup> to 400 mm<sup>2</sup>

All products consist of a tin-plated body, shear-head bolts and inserts for small conductor sizes.

## Body

Connector and lug bodies are made of a high-tensile, tin-plated aluminium alloy. The internal surfaces of the conductor holes are grooved.

Connectors are chamfered at the edges and available with or without oil barrier (as blocked and unblocked types) depending on the application requirements.

Lugs are suitable for outdoor and indoor applications and are available with different palm hole sizes.



## Contact bolts

Made of a special aluminium alloy, these contact bolts are double shear-head bolts with hexagon heads. The bolts are treated with a highly lubricating agent and equipped with a special contact ring. Contact bolts are irremovable once their heads have been sheared off.



## Inserts

Lugs and connectors are provided with inserts for smaller conductors.

These inserts have lengthwise striations and a positioning guide.



**Features & Benefits****Functions****of mechanical lugs and connectors**

|  |  |
|--|--|
| Wide application range   | Only three sizes cover conductor cross-sections from 25 mm <sup>2</sup> to 400 mm <sup>2</sup> and can be used for almost every type of conductor and material   |
| Bodies made of a high-tensile, tin-plated aluminium alloy<br>Bolts made of special aluminium alloy | Good contact properties<br>Connection between copper and aluminium conductors is possible  |
| Compact design   | Requires little installation space, particularly for large sizes   |
| Conductor connection hole with crosswise and lengthwise grooves                                    | Good electrical performance<br>Conductor oxide film is disrupted   |
| Centered hole and inserts  | Conductors of every size are centered<br>Height of the step between the conductor insulation and connector surface is reduced<br>Same cut-back length even when centering insert is used<br>Wires are not distorted when bolts are tightened |
| Shear bolts with predetermined shear torque, hexagon head and specially shaped contact ring        | No torque wrench necessary<br>Head shears off when a specific level of torque is applied<br>High tensile strength  |
| Lubricated bolts   | Reduces friction<br>Converts tightening torque into contact force for maximum effect   |
| No elongation during installation  | Easier to design relevant accessories  |

**Special features of mechanical connectors**

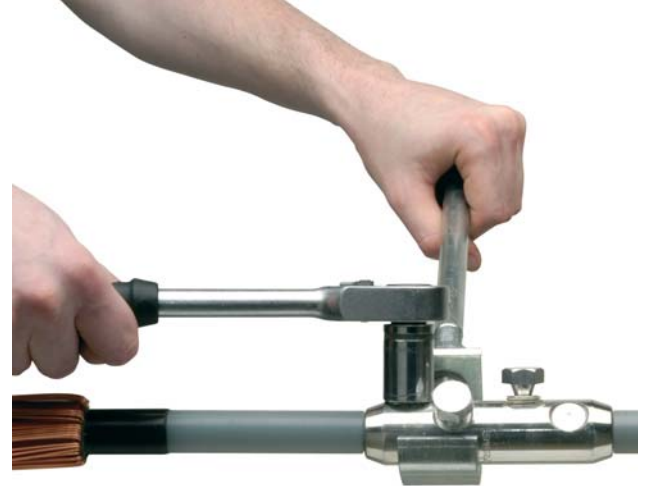
|  |  |
|--|--|
| Chamfered edges                        | Suitable for up to 42 kV and adaptable to existing joint designs |
| Available with and without oil barrier | Oil stop when used in transition joints                          |

**Special features of mechanical lugs**

|                 |                                     |
|-----------------|-------------------------------------|
| Long shank      | Extra-long for moisture barrier     |
| Lengthwise seal | For indoor and outdoor applications |

Installation

- Easy and secure installation without special tools
- All it takes to tighten bolts is a wrench and hexagon socket
- Same cut-back length for each type
- Inserts are included
- Shear head bolts with predetermined torque ensure a reliable and secure contact
- The use of a support tool is recommended (see accessories) to prevent conductor bending
- Separate installation instructions included with every connector or cable lug



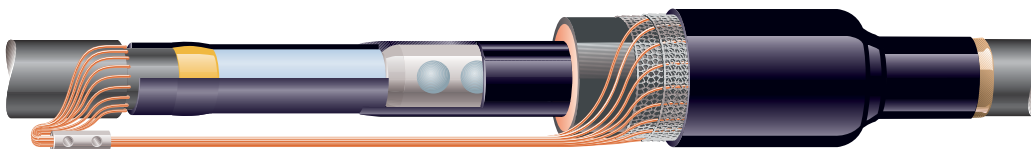
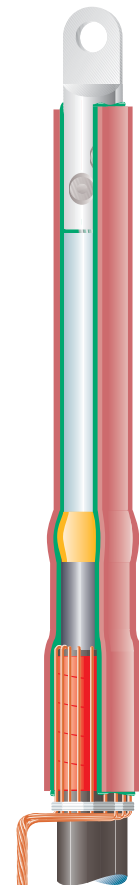
Use in cable accessories

The bolted fittings featured herein were developed especially for use in medium voltage cable accessories up to 42 kV. They may also be used in the 1 kV range. Before using mechanical connectors in cable accessories, confirm that they are suitable for the given application and, if necessary, consult the manufacturer.

Together with bolted connectors for cable accessories, TE Connectivity offers an extensive range of cable accessories tested in accordance with CENELEC HD 629.1 and HD 629.2 standard.

The range includes all required connectors.

Further information are available on request.

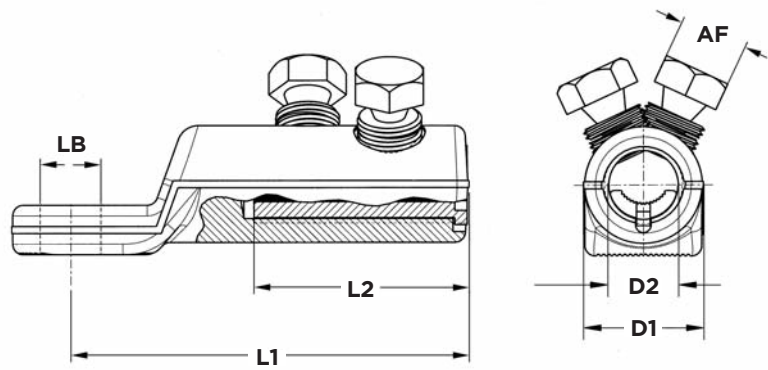


Tested quality

Mechanical connectors and lugs have been tested to IEC 61238-1 class A. Detailed test reports available on request.



Ordering information - Dimensions - Selection tables  
 Mechanical lugs



Dimensions

| Product reference      | Cross-sectional range mm <sup>2</sup> | Palm hole diameter mm LB | Dimensions mm |     |    |      | Contact bolts Quantity | Head size AF mm |
|------------------------|---------------------------------------|--------------------------|---------------|-----|----|------|------------------------|-----------------|
|                        |                                       |                          | L1            | L2  | D1 | D2   |                        |                 |
| BLMT-25/95-13          | 25-95                                 | 13                       | 60            | 30  | 24 | 12.8 | 1                      | 13              |
| BLMT-25/95-17          | 25-95                                 | 17                       | 60            | 30  | 24 | 12.8 | 1                      | 13              |
| BLMT-35/150-13         | 35-150                                | 13                       | 86            | 35  | 28 | 15.8 | 1                      | 17              |
| BLMT-35/150-17         | 35-150                                | 17                       | 86            | 35  | 28 | 15.8 | 1                      | 17              |
| BLMT-95/240-13         | 95-240                                | 13                       | 112           | 60  | 33 | 20   | 2                      | 19              |
| BLMT-95/240-17         | 95-240                                | 17                       | 112           | 60  | 33 | 20   | 2                      | 19              |
| BLMT-120/300-13        | 120-300                               | 13                       | 115           | 65  | 37 | 24   | 2                      | 22              |
| BLMT-120/300-17        | 120-300                               | 17                       | 115           | 65  | 37 | 24   | 2                      | 22              |
| BLMT-185/400-13        | 185-400                               | 13                       | 137           | 80  | 42 | 25.5 | 3                      | 22              |
| BLMT-185/400-17        | 185-400                               | 17                       | 137           | 80  | 42 | 25.5 | 3                      | 22              |
| BLMT-185/400-21        | 185-400                               | 21                       | 137           | 80  | 42 | 25.5 | 3                      | 22              |
| BLMT-500/630-13        | 500-630                               | 13                       | 150           | 95  | 50 | 33   | 3                      | 27              |
| BLMT-500/630-17        | 500-630                               | 17                       | 150           | 95  | 50 | 33   | 3                      | 27              |
| BLMT-500/630-21        | 500-630                               | 21                       | 150           | 95  | 50 | 33   | 3                      | 27              |
| BLMT-800-50x56-D21     | 800                                   | 21                       | 202           | 120 | 56 | 36   | 4                      | 27              |
| BLMT-800-80x40-2D14x40 | 800                                   | 2x14                     | 237           | 120 | 56 | 36   | 4                      | 27              |

Selection and application table

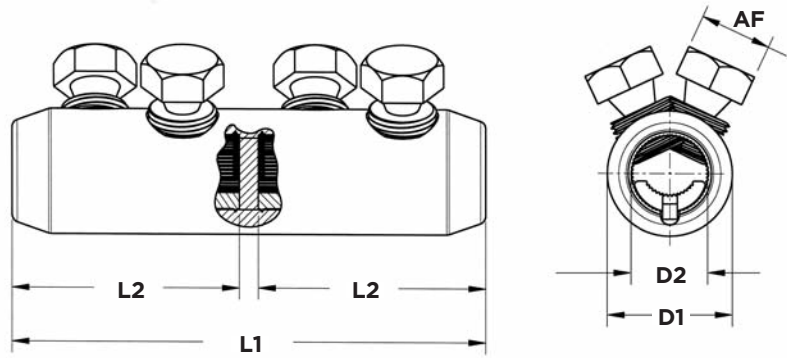
| Product reference | Application range   | Conductor type       |                   |                       |                     |                      |                   |                       |
|-------------------|---|----------------------|-------------------|-----------------------|---------------------|----------------------|-------------------|-----------------------|
|                   |   | Al circular stranded | Al circular solid | Al sector stranded    | Al sector solid     | Cu circular stranded | Cu circular solid | Cu sector stranded    |
| BLMT-25/95-XX     | Cross-sectional range (mm <sup>2</sup> )<br>Cross-sectional range (mm <sup>2</sup> )<br>Conductor diameter (mm) | 25-95                | 16-95             | 25-70<br>95**         |                     | 16-95                | 10-50             | 25-70<br>95**         |
| BLMT-35/150-XX    | Cross-sectional range (mm <sup>2</sup> )<br>Cross-sectional range (mm <sup>2</sup> )<br>Conductor diameter (mm) | 35-150               | 35-150            | 50-95<br>120*-150**   | 50-120              | 35-150               | 35-50             | 50-95<br>120*-150**   |
| BLMT-95/240-XX    | Cross-sectional range (mm <sup>2</sup> )<br>Cross-sectional range (mm <sup>2</sup> )<br>Conductor diameter (mm) | 70-240               | 95-300            | 95-150<br>185*-240**  | 95-150<br>185(90°)  | 70-240               |                   | 95-150<br>185*-240**  |
| BLMT-120/300-XX   | Cross-sectional range (mm <sup>2</sup> )<br>Cross-sectional range (mm <sup>2</sup> )<br>Conductor diameter (mm) | 120-300              | 150-300           | 120-185<br>240*-300** | 120-240             | 120-300              |                   | 120-185<br>240*-300** |
| BLMT-185/400-XX   | Cross-sectional range (mm <sup>2</sup> )<br>Cross-sectional range (mm <sup>2</sup> )<br>Conductor diameter (mm) | 185-400              | 185-400           | 185-240<br>300*-400** | 185-240<br>300(90°) | 185-400              |                   | 185-240<br>300*-400** |
| BLMT-500/630-XX   | Cross-sectional range (mm <sup>2</sup> )<br>Cross-sectional range (mm <sup>2</sup> )<br>Conductor diameter (mm) | 500-630              | 500-630           |                       |                     | 500-630              |                   |                       |
| BLMT-800-XX       | Cross-sectional range (mm <sup>2</sup> )<br>Cross-sectional range (mm <sup>2</sup> )<br>Conductor diameter (mm) | 800                  | 800               |                       |                     | 800                  |                   |                       |

\* - slightly rounded with pliers

\*\* - pressed round

XX - Palm hole

Ordering information - Dimensions - Selection tables  
 Mechanical connectors



Dimensions

| Product reference | Cross-sectional range mm <sup>2</sup> | Blocked | Dimensions mm |    |    |      | Contact bolts |                 |
|-------------------|---------------------------------------|---------|---------------|----|----|------|---------------|-----------------|
|                   |                                       |         | L1            | L2 | D1 | D2   | Quantity      | Head size AF mm |
| BSMB-10/35        | 10-35                                 | yes     | 45            | 20 | 19 | 8.5  | 2             | 10              |
| BSM-25/95         | 25-95                                 | yes     | 65            | 30 | 24 | 12.8 | 2             | 13              |
| BSM-25/95-U       | 25-95                                 | no      | 65            |    | 24 | 12.8 | 2             | 13              |
| BSMB-35/150       | 35-150                                | yes     | 80            | 35 | 28 | 15.8 | 2             | 17              |
| BSMU-35/150       | 35-150                                | no      | 80            |    | 28 | 15.8 | 2             | 17              |
| BSM-95/240        | 95-240                                | yes     | 125           | 60 | 33 | 20   | 4             | 19              |
| BSM-95/240-U      | 95-240                                | no      | 125           |    | 33 | 20   | 4             | 19              |
| BSMB-95/240-34    | 95-240                                | yes     | 125           | 60 | 34 | 22   | 4             | 19              |
| BSMB-120/300      | 120-300                               | yes     | 140           | 65 | 37 | 24   | 4             | 22              |
| BSMU-120/300      | 120-300                               | no      | 140           |    | 37 | 24   | 4             | 22              |
| BSM-185/400       | 185-400                               | yes     | 170           | 80 | 42 | 25.5 | 6             | 22              |
| BSM-185/400-U     | 185-400                               | no      | 170           |    | 42 | 25.5 | 6             | 22              |
| BSMB-500mk2       | 500                                   | yes     | 160           | 70 | 46 | 30   | 6             | 13              |
| BSMB-630mk2       | 630                                   | yes     | 160           | 70 | 50 | 33   | 6             | 13              |
| BSMB-800mk2       | 800                                   | yes     | 180           | 85 | 56 | 36   | 8             | 13              |
| BSMB-1000         | 1000                                  | yes     | 180           | 85 | 60 | 40   | 8             | 13              |

## Ordering information - Selection tables

## Mechanical connectors



## Selection and application table

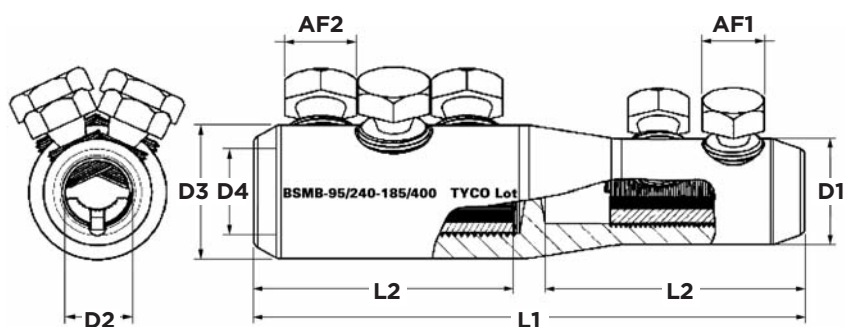
| Product reference             |  | Application range    |                   |                    |                 |                      |                   |                    |
|-------------------------------|--|----------------------|-------------------|--------------------|-----------------|----------------------|-------------------|--------------------|
|                               |  | Conductor type       |                   |                    |                 |                      |                   |                    |
|                               |  | Al circular stranded | Al circular solid | Al sector stranded | Al sector solid | Cu circular stranded | Cu circular solid | Cu sector stranded |
| BSMB-10/35                    | Cross-sectional range (mm <sup>2</sup> ) | 10-35                | 10-50             | 10-25              | 10-35           | 10-35                | 10-35             | 10-25              |
|                               | Cross-sectional range (mm <sup>2</sup> ) |                      |                   | 35**               |                 |                      |                   | 35**               |
|                               | Conductor diameter (mm)                  | 3.7-7.5              | 3.4-7.8           |                    |                 |                      | 3.7-7.5           | 3.4-6.7            |
| BSM-25/95<br>BSMU-25/95-U     | Cross-sectional range (mm <sup>2</sup> ) | 25-95                | 16-95             | 25-70              |                 | 16-95                | 10-50             | 25-70              |
|                               | Cross-sectional range (mm <sup>2</sup> ) |                      |                   | 95**               |                 |                      |                   | 95**               |
|                               | Conductor diameter (mm)                  | 5.7-12.5             | 4.1-11            |                    |                 | 4.8-12.5             | 3.6-8             |                    |
| BSMB-35/150<br>BSMU-35/150    | Cross-sectional range (mm <sup>2</sup> ) | 35-150               | 35-150            | 50-95              | 50-120          | 35-150               | 35-50             | 50-95              |
|                               | Cross-sectional range (mm <sup>2</sup> ) |                      |                   | 120*-150**         |                 |                      |                   | 120*-150**         |
|                               | Conductor diameter (mm)                  | 6.8-15               | 6.5-14            |                    |                 | 6.6-15               | 6.5-8             |                    |
| BSM-95/240<br>BSMU-95/240-U   | Cross-sectional range (mm <sup>2</sup> ) | 70-240               | 95-300            | 95-150             | 95-150          | 70-240               |                   | 95-150             |
|                               | Cross-sectional range (mm <sup>2</sup> ) |                      |                   | 185*-240**         | 185(90°)        |                      |                   | 185*-240**         |
|                               | Conductor diameter (mm)                  | 9.3-19.2             | 10.5-19           |                    |                 | 9.3-19.2             |                   |                    |
| BSMB-95/240-34                | Cross-sectional range (mm <sup>2</sup> ) | 95-240               | 95-240            | 95-150             | 95-185          | 95-240               |                   | 95-150             |
|                               | Cross-sectional range (mm <sup>2</sup> ) |                      |                   | 185-240*           |                 |                      |                   | 185-240*           |
|                               | Conductor diameter (mm)                  | 11-20.8              | 10.5-18           |                    |                 | 11-19.2              |                   |                    |
| BSMB-120/300<br>BSMU-120/300  | Cross-sectional range (mm <sup>2</sup> ) | 120-300              | 150-300           | 120-185            | 120-240         | 120-300              |                   | 120-185            |
|                               | Cross-sectional range (mm <sup>2</sup> ) |                      |                   | 240*-300**         |                 |                      |                   | 240*-300**         |
|                               | Conductor diameter (mm)                  | 12.7-23.1            | 12.9-19.8         |                    |                 | 12.7-22.6            |                   |                    |
| BSM-185/400<br>BSMU-185/400-U | Cross-sectional range (mm <sup>2</sup> ) | 185-400              | 185-400           | 185-240            | 185-240         | 185-400              |                   | 185-240            |
|                               | Cross-sectional range (mm <sup>2</sup> ) |                      |                   | 300*-400**         | 300(90°)        |                      |                   | 300*-400**         |
|                               | Conductor diameter (mm)                  | 15.5-24.6            | 14.8-24.6         |                    |                 | 15.5-24.6            |                   |                    |
| BSMB-500mk2                   | Cross-sectional range (mm <sup>2</sup> ) | 500                  | 500               |                    |                 | 500                  |                   |                    |
|                               | Cross-sectional range (mm <sup>2</sup> ) |                      |                   |                    |                 |                      |                   |                    |
|                               | Conductor diameter (mm)                  | 25.3-28.9            | 24-25.1           |                    |                 | 25.3-28.6            |                   |                    |
| BSMB-630mk2                   | Cross-sectional range (mm <sup>2</sup> ) | 630                  | 630               |                    |                 | 630                  |                   |                    |
|                               | Cross-sectional range (mm <sup>2</sup> ) |                      |                   |                    |                 |                      |                   |                    |
|                               | Conductor diameter (mm)                  | 28.7-32.5            | 27.3-28.4         |                    |                 | 28.7-32.5            |                   |                    |
| BSMB-800mk2                   | Cross-sectional range (mm <sup>2</sup> ) | 800                  | 800               |                    |                 | 800                  |                   |                    |
|                               | Cross-sectional range (mm <sup>2</sup> ) |                      |                   |                    |                 |                      |                   |                    |
|                               | Conductor diameter (mm)                  | 32.5-35.3            | 30.9-32.1         |                    |                 | 32.5-35.3            |                   |                    |
| BSMB-1000                     | Cross-sectional range (mm <sup>2</sup> ) | 1000                 | 1000              |                    |                 | 1000                 |                   |                    |
|                               | Cross-sectional range (mm <sup>2</sup> ) |                      |                   |                    |                 |                      |                   |                    |
|                               | Conductor diameter (mm)                  | 37-39.5              | 34.8-36           |                    |                 | 37-39.5              |                   |                    |

\* - slightly rounded with pliers

\*\* - pressed round

Ordering information - Dimensions - Selection tables

Reduction connectors



Dimensions

| Product reference   | Cross-sectional range |                       | Blocked | Dimensions |    |    |      |    |      | Contact bolts Quantity Side1 | Head size AF mm Side1 | Contact bolts Quantity Side2 | Head size AF mm Side2 |
|---------------------|-----------------------|-----------------------|---------|------------|----|----|------|----|------|------------------------------|-----------------------|------------------------------|-----------------------|
|                     | mm <sup>2</sup> Side1 | mm <sup>2</sup> Side2 |         | L1         | L2 | D1 | D2   | D3 | D4   |                              |                       |                              |                       |
| BSMB 25/95-95/240   | 25-95                 | 95-240                | yes     | 125        | 60 | 24 | 12.8 | 33 | 20   | 1                            | 13                    | 2                            | 19                    |
| BSMB 95/240-185/400 | 95-240                | 185-400               | yes     | 170        | 80 | 33 | 20   | 42 | 25.5 | 2                            | 19                    | 3                            | 22                    |
| BSMB 185/400-500    | 185-400               | 500                   | yes     | 190        | 90 | 42 | 25.5 | 46 | 30   | 3                            | 22                    | 3                            | 27                    |
| BSMB 185/400-630    | 185-400               | 630                   | yes     | 200        | 95 | 42 | 25.5 | 50 | 33   | 3                            | 22                    | 3                            | 27                    |
| BSMB 500-630mk2     | 500                   | 630                   | yes     | 160        | 70 | 46 | 30   | 50 | 33   | 3                            | 13                    | 3                            | 13                    |
| BSMB 500-800        | 500                   | 800                   | yes     | 180        | 85 | 46 | 30   | 56 | 36   | 3                            | 13                    | 4                            | 13                    |
| BSMB 630-800        | 630                   | 800                   | yes     | 180        | 85 | 50 | 33   | 56 | 36   | 3                            | 13                    | 4                            | 13                    |
| BSMB 630-1000       | 630                   | 1000                  | yes     | 180        | 85 | 50 | 33   | 60 | 40   | 3                            | 13                    | 4                            | 13                    |
| BSMB 800-1000       | 800                   | 1000                  | yes     | 180        | 85 | 56 | 36   | 60 | 40   | 3                            | 13                    | 4                            | 13                    |



Ordering information - Dimensions - Selection tables  
Reduction connectors

Selection and application table

| Product reference           |  | Application range |           |           |          |           |          |           |        |
|-----------------------------|--|-------------------|-----------|-----------|----------|-----------|----------|-----------|--------|
|                             |  | Conductor type    |           | Al        | Al       | Al        | Al       | Cu        | Cu     |
| BSMB                        |  | Al                | Al        | Al        | Al       | Cu        | Cu       | Cu        | Cu     |
| 25/95-95/240                |  | circular          | circular  | sector    | sector   | circular  | circular | sector    | sector |
|                             |  | stranded          | solid     | stranded  | solid    | stranded  | solid    | stranded  | solid  |
| 25-95mm <sup>2</sup> Side   | Cross-sectional range (mm <sup>2</sup> ) | 25-95             | 16-95     | 25-70     |          | 16-95     | 10-50    | 25-70     |        |
|                             | Cross-sectional range (mm <sup>2</sup> ) |                   |           | 95*       |          |           |          | 95*       |        |
|                             | Conductor diameter (mm)                  | 5.7-12.5          | 4.1-11    |           |          | 4.8-12.5  | 3.6-8    |           |        |
| 95-240mm <sup>2</sup> Side  | Cross-sectional range (mm <sup>2</sup> ) | 70-240            | 95-300    | 95-150    | 95-150   | 70-240    |          | 95-150    |        |
|                             | Cross-sectional range (mm <sup>2</sup> ) |                   |           | 185*-240* | 185(90°) |           |          | 185*-240* |        |
|                             | Conductor diameter (mm)                  | 9.3-19.2          | 10.5-19   |           |          | 9.3-19.2  |          |           |        |
| Product reference           |  |                   |           |           |          |           |          |           |        |
| BSMB                        |  |                   |           |           |          |           |          |           |        |
| 95/240-185/400              |  |                   |           |           |          |           |          |           |        |
| 95-240mm <sup>2</sup> Side  | Cross-sectional range (mm <sup>2</sup> ) | 70-240            | 95-300    | 95-150    | 95-150   | 70-240    |          | 95-150    |        |
|                             | Cross-sectional range (mm <sup>2</sup> ) |                   |           | 185*-240* | 185(90°) |           |          | 185*-240* |        |
|                             | Conductor diameter (mm)                  | 9.3-19.2          | 10.5-19   |           |          | 9.3-19.2  |          |           |        |
| 185-400mm <sup>2</sup> Side | Cross-sectional range (mm <sup>2</sup> ) | 185-400           | 185-400   | 185-240   | 185-240  | 185-400   |          | 185-240   |        |
|                             | Cross-sectional range (mm <sup>2</sup> ) |                   |           | 300*-400* | 300(90°) |           |          | 300*-400* |        |
|                             | Conductor diameter (mm)                  | 15.5-24.6         | 14.8-24.6 |           |          | 15.5-24.6 |          |           |        |
| Product reference           |  |                   |           |           |          |           |          |           |        |
| BSMB                        |  |                   |           |           |          |           |          |           |        |
| 185/400-500                 |  |                   |           |           |          |           |          |           |        |
| 185-400mm <sup>2</sup> Side | Cross-sectional range (mm <sup>2</sup> ) | 185-400           | 185-400   | 185-240   | 185-240  | 185-400   |          | 185-240   |        |
|                             | Cross-sectional range (mm <sup>2</sup> ) |                   |           | 300*-400* | 300(90°) |           |          | 300*-400* |        |
|                             | Conductor diameter (mm)                  | 15.5-24.6         | 14.8-24.6 |           |          | 15.5-24.6 |          |           |        |
| 500mm <sup>2</sup> Side     | Cross-sectional range (mm <sup>2</sup> ) | 500               | 500       |           |          | 500       |          |           |        |
|                             | Cross-sectional range (mm <sup>2</sup> ) |                   |           |           |          |           |          |           |        |
|                             | Conductor diameter (mm)                  | 25.3-28.9         | 24-25.1   |           |          | 25.3-28.6 |          |           |        |
| Product reference           |  |                   |           |           |          |           |          |           |        |
| BSMB                        |  |                   |           |           |          |           |          |           |        |
| 185/400-630                 |  |                   |           |           |          |           |          |           |        |
| 185-400mm <sup>2</sup> Side | Cross-sectional range (mm <sup>2</sup> ) | 185-400           | 185-400   | 185-240   | 185-240  | 185-400   |          | 185-240   |        |
|                             | Cross-sectional range (mm <sup>2</sup> ) |                   |           | 300*-400* | 300(90°) |           |          | 300*-400* |        |
|                             | Conductor diameter (mm)                  | 15.5-24.6         | 14.8-24.6 |           |          | 15.5-24.6 |          |           |        |
| 630mm <sup>2</sup> Side     | Cross-sectional range (mm <sup>2</sup> ) | 630               | 630       |           |          | 630       |          |           |        |
|                             | Cross-sectional range (mm <sup>2</sup> ) |                   |           |           |          |           |          |           |        |
|                             | Conductor diameter (mm)                  | 28.7-32.5         | 27.3-28.4 |           |          | 28.7-32.5 |          |           |        |
| Product reference           |  |                   |           |           |          |           |          |           |        |
| BSMB                        |  |                   |           |           |          |           |          |           |        |
| 500-630                     |  |                   |           |           |          |           |          |           |        |
| 500mm <sup>2</sup> Side     | Cross-sectional range (mm <sup>2</sup> ) | 500               | 500       |           |          | 500       |          |           |        |
|                             | Cross-sectional range (mm <sup>2</sup> ) |                   |           |           |          |           |          |           |        |
|                             | Conductor diameter (mm)                  | 25.3-28.9         | 24-25.1   |           |          | 25.3-28.6 |          |           |        |
| 630mm <sup>2</sup> Side     | Cross-sectional range (mm <sup>2</sup> ) | 630               | 630       |           |          | 630       |          |           |        |
|                             | Cross-sectional range (mm <sup>2</sup> ) |                   |           |           |          |           |          |           |        |
|                             | Conductor diameter (mm)                  | 28.7-32.5         | 27.3-28.4 |           |          | 28.7-32.5 |          |           |        |

\* - pressed round

## Ordering information - Dimensions - Selection tables

## Reduction connectors

## Selection and application table

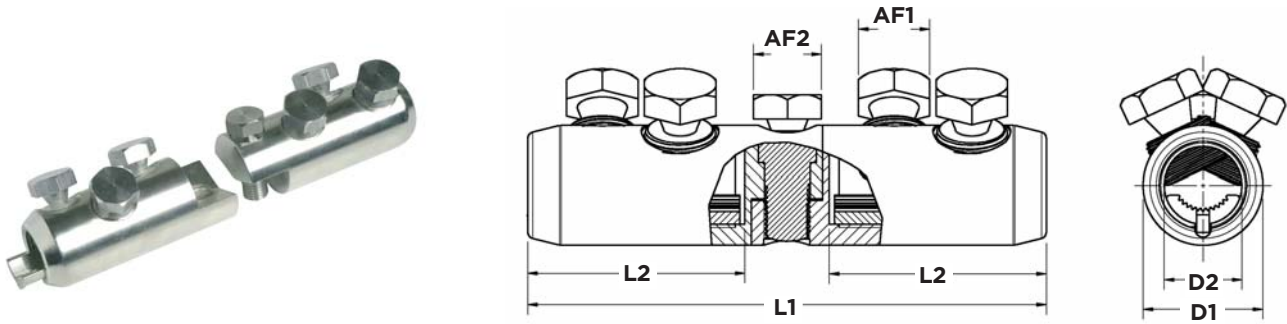
| Product reference       |  | Application range          |                         |                          |                       |                            |                         |                          |
|-------------------------|--|----------------------------|-------------------------|--------------------------|-----------------------|----------------------------|-------------------------|--------------------------|
|                         |  | Conductor type             |                         | Al<br>sector<br>stranded | Al<br>sector<br>solid | Cu<br>circular<br>stranded | Cu<br>circular<br>solid | Cu<br>sector<br>stranded |
| BSMB<br>500-800         |  | Al<br>circular<br>stranded | Al<br>circular<br>solid |                          |                       |                            |                         |                          |
| 500mm <sup>2</sup> Side | Cross-sectional range (mm <sup>2</sup> ) | 500                        | 500                     |                          |                       | 500                        |                         |                          |
|                         | Cross-sectional range (mm <sup>2</sup> ) |                            |                         |                          |                       |                            |                         |                          |
|                         | Conductor diameter (mm)                  | 25.3-28.9                  | 24-25.1                 |                          |                       | 25.3-28.9                  |                         |                          |
| 800mm <sup>2</sup> Side | Cross-sectional range (mm <sup>2</sup> ) | 800                        | 800                     |                          |                       | 800                        |                         |                          |
|                         | Cross-sectional range (mm <sup>2</sup> ) |                            |                         |                          |                       |                            |                         |                          |
|                         | Conductor diameter (mm)                  | 32.5-35.3                  | 30.9-32.1               |                          |                       | 32.5-35.3                  |                         |                          |

| Product reference       |  |           |           |  |  |           |  |  |
|-------------------------|--|-----------|-----------|--|--|-----------|--|--|
| BSMB<br>630-800         |  |           |           |  |  |           |  |  |
| 630mm <sup>2</sup> Side | Cross-sectional range (mm <sup>2</sup> ) | 630       | 630       |  |  | 630       |  |  |
|                         | Cross-sectional range (mm <sup>2</sup> ) |           |           |  |  |           |  |  |
|                         | Conductor diameter (mm)                  | 28.7-32.5 | 27.3-28.4 |  |  | 28.7-32.5 |  |  |
| 800mm <sup>2</sup> Side | Cross-sectional range (mm <sup>2</sup> ) | 800       | 800       |  |  | 800       |  |  |
|                         | Cross-sectional range (mm <sup>2</sup> ) |           |           |  |  |           |  |  |
|                         | Conductor diameter (mm)                  | 32.5-35.3 | 30.5-32.1 |  |  | 32.5-35.3 |  |  |

| Product reference        |  |           |           |  |  |           |  |  |
|--------------------------|--|-----------|-----------|--|--|-----------|--|--|
| BSMB<br>630-1000         |  |           |           |  |  |           |  |  |
| 630mm <sup>2</sup> Side  | Cross-sectional range (mm <sup>2</sup> ) | 630       | 630       |  |  | 630       |  |  |
|                          | Cross-sectional range (mm <sup>2</sup> ) |           |           |  |  |           |  |  |
|                          | Conductor diameter (mm)                  | 28.7-32.5 | 27.3-28.4 |  |  | 28.7-32.5 |  |  |
| 1000mm <sup>2</sup> Side | Cross-sectional range (mm <sup>2</sup> ) | 1000      | 1000      |  |  | 1000      |  |  |
|                          | Cross-sectional range (mm <sup>2</sup> ) |           |           |  |  |           |  |  |
|                          | Conductor diameter (mm)                  | 37-39.5   | 34.8-36   |  |  | 37-39.5   |  |  |

| Product reference        |  |           |           |  |  |           |  |  |
|--------------------------|--|-----------|-----------|--|--|-----------|--|--|
| BSMB<br>800-1000         |  |           |           |  |  |           |  |  |
| 800mm <sup>2</sup> Side  | Cross-sectional range (mm <sup>2</sup> ) | 800       | 800       |  |  | 800       |  |  |
|                          | Cross-sectional range (mm <sup>2</sup> ) |           |           |  |  |           |  |  |
|                          | Conductor diameter (mm)                  | 32.5-35.3 | 30.5-32.1 |  |  | 32.5-35.3 |  |  |
| 1000mm <sup>2</sup> Side | Cross-sectional range (mm <sup>2</sup> ) | 1000      | 1000      |  |  | 1000      |  |  |
|                          | Cross-sectional range (mm <sup>2</sup> ) |           |           |  |  |           |  |  |
|                          | Conductor diameter (mm)                  | 37-39.5   | 34.8-36   |  |  | 37-39.5   |  |  |

Ordering information - Dimensions - Selection tables  
Split connectors



Dimensions

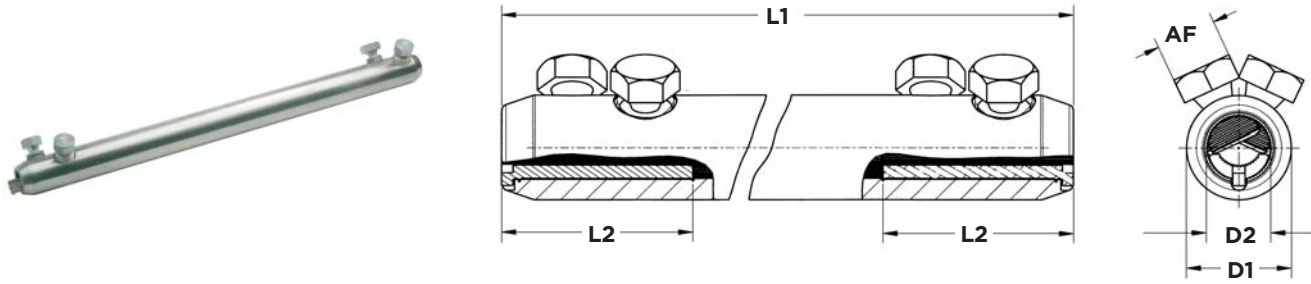
| Product reference | Cross-sectional range mm <sup>2</sup> | Blocked | Dimensions mm |    |    |      | Contact bolts |                  | Central bolt |                  |
|-------------------|---------------------------------------|---------|---------------|----|----|------|---------------|------------------|--------------|------------------|
|                   |                                       |         | L1            | L2 | D1 | D2   | Quantity      | Head size AF1 mm | Quantity     | Head size AF2 mm |
| BSMV-120/300      | 120-300                               | yes     | 160           | 65 | 37 | 24   | 4             | 22               | 1            | 21               |
| BSMV-185/400      | 185-400                               | yes     | 190           | 80 | 42 | 25.5 | 6             | 22               | 1            | 19               |

Selection and application table

| Product reference | Application range                        | Conductor type       |                   |                    |                 |                      |                   |                    |
|-------------------|--|----------------------|-------------------|--------------------|-----------------|----------------------|-------------------|--------------------|
|                   |  | Al circular stranded | Al circular solid | Al sector stranded | Al sector solid | Cu circular stranded | Cu circular solid | Cu sector stranded |
| BSMV-120/300      | Cross-sectional range (mm <sup>2</sup> ) | 120-300              | 150-300           | 120-185            | 120-240         | 120-300              |                   | 120-185            |
|                   | Cross-sectional range (mm <sup>2</sup> ) |                      |                   | 240*-300*          |                 |                      |                   | 240*-300*          |
|                   | Conductor diameter (mm)                  | 12.7-23.1            | 12.9-19.8         |                    |                 | 12.7-22.6            |                   |                    |
| BSMV-185/400      | Cross-sectional range (mm <sup>2</sup> ) | 185-400              | 185-400           | 185-240            | 185-240         | 185-400              |                   | 185-240            |
|                   | Cross-sectional range (mm <sup>2</sup> ) |                      |                   | 300*-400*          | 300(90°)        |                      |                   | 300*-400*          |
|                   | Conductor diameter (mm)                  | 15.5-24.6            | 14.8-24.6         |                    |                 | 15.5-24.6            |                   |                    |

\* - pressed round

Ordering information - Dimensions - Selection tables  
 Mechanical repair sleeves



**Dimensions**

| Product reference   | Cross-sectional range mm <sup>2</sup> | Blocked | Dimension mm |    |    |      | Contact bolts |                 |
|---------------------|---------------------------------------|---------|--------------|----|----|------|---------------|-----------------|
|                     |                                       |         | L1           | L2 | D1 | D2   | Quantity      | Head size AF mm |
| BSM-25/95-U-L440    | 25-95                                 | no      | 440          | 30 | 24 | 12.8 | 2             | 13              |
| BSM-95/240-U-L440   | 95-240                                | no      | 440          | 60 | 33 | 20   | 4             | 19              |
| BSMU-95/240-34-L440 | 95-240                                | no      | 440          | 60 | 34 | 22   | 4             | 19              |
| BSMU-120/300-L440   | 120-300                               | no      | 440          | 65 | 37 | 24   | 4             | 22              |
| BSM-185/400-U-L440  | 185-400                               | no      | 440          | 80 | 42 | 25.5 | 6             | 22              |
| BSMU-500-L440       | 500                                   | no      | 440          | 90 | 46 | 30   | 6             | 27              |

**Selection and application table**

| Product reference   | Application range                        | Conductor type       |                   |                    |                 |                      |                   |                    |
|---------------------|--|----------------------|-------------------|--------------------|-----------------|----------------------|-------------------|--------------------|
|                     |  | Al circular stranded | Al circular solid | Al sector stranded | Al sector solid | Cu circular stranded | Cu circular solid | Cu sector stranded |
| BSM-25/95-U-L440    | Cross-sectional range (mm <sup>2</sup> ) | 25-95                | 16-95             | 25-70              |                 | 16-95                | 10-50             | 25-70              |
|                     | Cross-sectional range (mm <sup>2</sup> ) |                      |                   | 95*                |                 |                      |                   |                    |
|                     | Conductor diameter (mm)                  | 5.7-12.5             | 4.1-11            |                    |                 |                      | 4.8-12.5          | 3.6-8              |
| BSM-95/240-U-L440   | Cross-sectional range (mm <sup>2</sup> ) | 70-240               | 95-300            | 95-150             | 95-150          | 70-240               |                   | 95-150             |
|                     | Cross-sectional range (mm <sup>2</sup> ) |                      |                   | 185*-240*          |                 |                      |                   |                    |
|                     | Conductor diameter (mm)                  | 9.3-19.2             | 10.5-19           |                    |                 |                      | 9.3-19.2          |                    |
| BSMU-95/240-34-L440 | Cross-sectional range (mm <sup>2</sup> ) | 95-240               | 95-300            | 95-150             | 95-185          | 95-240               |                   | 95-150             |
|                     | Cross-sectional range (mm <sup>2</sup> ) |                      |                   | 185*-240*          |                 |                      |                   |                    |
|                     | Conductor diameter (mm)                  | 11-20.8              | 10.5-19.8         |                    |                 |                      | 11-19.2           |                    |
| BSMU-120/300-L440   | Cross-sectional range (mm <sup>2</sup> ) | 120-300              | 150-300           | 120-185            | 120-240         | 120-300              |                   | 120-185            |
|                     | Cross-sectional range (mm <sup>2</sup> ) |                      |                   | 240*-300*          |                 |                      |                   |                    |
|                     | Conductor diameter (mm)                  | 12.7-23.1            | 12.9-19.8         |                    |                 |                      | 12.7-22.6         |                    |
| BSM-185/400-U-L440  | Cross-sectional range (mm <sup>2</sup> ) | 185-400              | 185-400           | 185-240            | 185-240         | 185-400              |                   | 185-240            |
|                     | Cross-sectional range (mm <sup>2</sup> ) |                      |                   | 300*-400*          |                 |                      |                   |                    |
|                     | Conductor diameter (mm)                  | 15.5-24.6            | 14.8-24.6         |                    |                 |                      | 15.5-24.6         |                    |
| BSMU-500-L440       | Cross-sectional range (mm <sup>2</sup> ) | 500                  | 500               |                    |                 | 500                  |                   |                    |
|                     | Cross-sectional range (mm <sup>2</sup> ) |                      |                   |                    |                 |                      |                   |                    |
|                     | Conductor diameter (mm)                  | 25.3-28.9            | 24-25.1           |                    |                 |                      | 25.3-28.6         |                    |

\* - pressed round

**Ordering information - Dimensions - Selection tables**  
**Accessories**

**Support tool**



| Product reference | Description  |
|-------------------|--|
| IT 1000-019       | Support tool for mechanical connectors and lugs<br>Grip length: 205 mm<br>For diameters ranging from 16 to 60 mm |

**Cordless impact wrench**



| Product reference | Description   |
|-------------------|---|
| IT-1000-033       | Installation tool for shear-head bolt connectors and lugs |

**Filling mastic**



| Product reference  | Description  |
|--------------------|--|
| EPPA-048-Clay-Pack | Mastic for profiling over bolt area<br>Quantity 30 ± 5 g |



Notes:

Notes:

While TE Connectivity (TE) has made every reasonable effort to ensure the accuracy of the information in this catalog, TE does not guarantee that it is error-free, nor does TE make any other representation, warranty or guarantee that the information is accurate, correct, reliable or current. TE reserves the right to make any adjustments to the information contained herein at any time without notice. TE expressly disclaims all implied warranties regarding the information contained herein, including, but not limited to, any implied warranties of merchantability or fitness for a particular purpose. The dimensions in this catalog are for reference purposes only and are subject to change without notice. Specifications are subject to change without notice. Consult TE for the latest dimensions and design specifications. TE Connectivity and TE connectivity (logo) are trademarks.

**TE Energy - innovative and economical solutions for the electrical power industry: cable accessories, connectors & fittings, insulators & insulation, surge arresters, switching equipment, street lighting, power measurement and control.**

Tel: +44(0) 1793616700 • Fax: +44(0) 1793 644304  
uksales@is-rayfast.com • export@is-rayfast.com  
[www.is-rayfast.com](http://www.is-rayfast.com)  
2 Lydiard Fields, Swindon, Wiltshire, SN5 8UB

